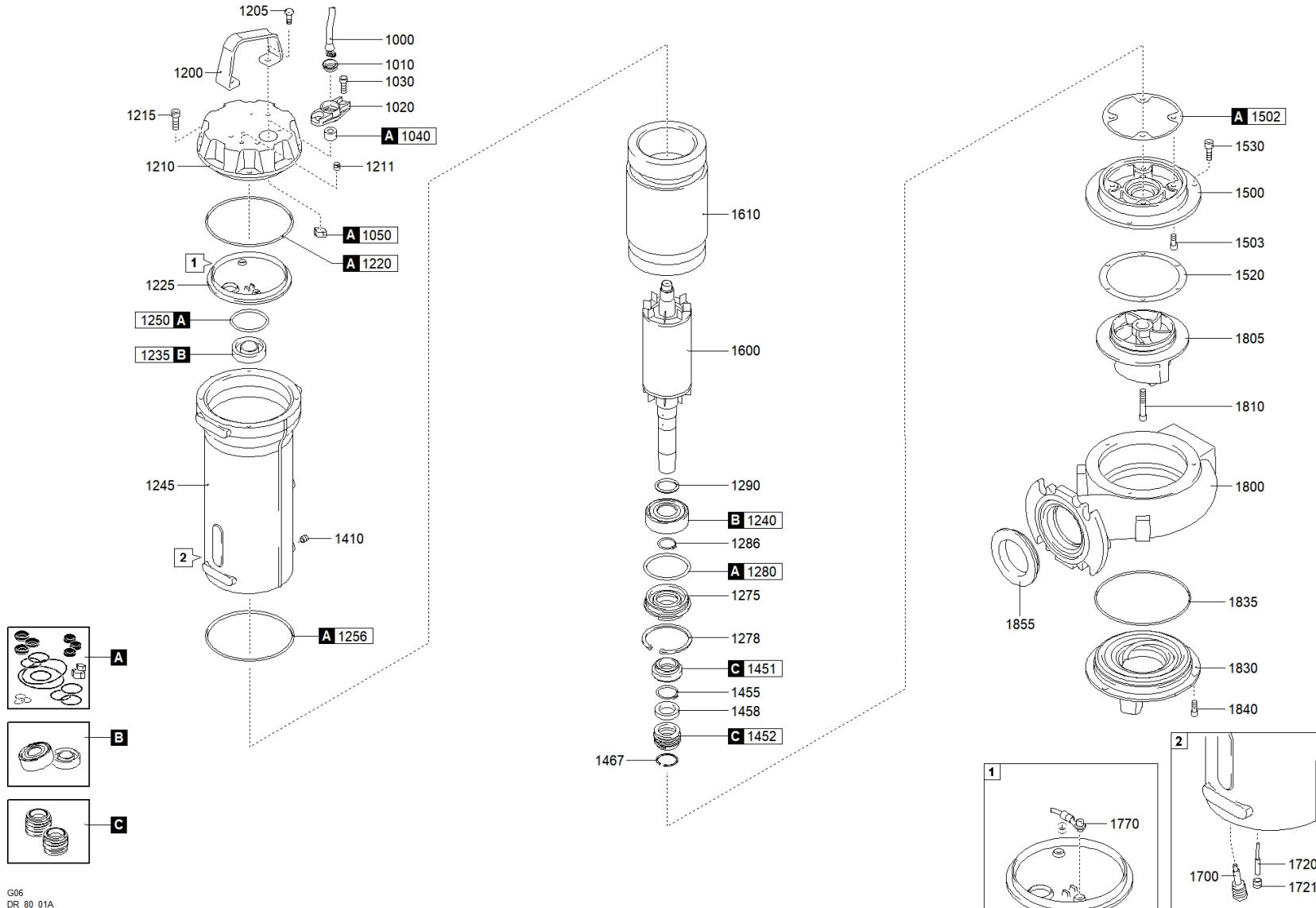




better together

1458.200 - DRG 400/2/80 E0ET5 NGTSB51040N00EX





better together



1458.200 - DRG 400/2/80 E0ET5 NGTSB51040N00EX

		Code	Description		Q.ty	Price (€)	
A		601052001	GASKETS KIT	806125	1		
C		602052091	MECHANICAL SEALS KIT	806127	1		
B		604052001	BEARINGS KIT	806131	1		
1000		25020340151000001	CAVO POTENZA	802306	1		
1010		235467216820	RING NUT [POWER CABLE]	711016 OR 802074	1		
1020		235423622710	CABLE GLAND [POWER CABLE]	802276	1		
1030		270830810203200000	SCREW - CABLE GLAND [POWER CABLE]	802093 OR 802095	2		
1040		235672721990	RUBBER GASKET [POWER CABLE]		1		
1050		2732001400000	COLLAR CLAMP [POWER CABLE]	802081	1		
1200		235232426544	HANDLE		1		
1205		270830810201200000	SCREW [HANDLE >> COVER]	802319	2		
1210		2321170EX28490	COVER		1		
1211		270139510104000003	CAP [TIGHTNESS TEST]		1		
1215		270830810203200000	SCREW [COVER >> MOTOR CASE]	802093 OR 802095	2		
1220		271770139035000000	GASKET [COVER >> UPPER BEARING HOLDER]		1		
1225		230617025857	UPPER BEARING HOLDER		1		
1235		2729062030200000	UPPER BEARING	711360 OR 802083	1		
1240		2729063060200000	LOWER BEARING	710970 OR 802082	1		
1245		2310170EX28574	MOTOR CASE		1		
1250		271770040952620000	GASKET [UPPER BEARING]		1		
1256		271770120018000000	GASKET [MOTOR CASE >> PUMP PLATE]		1		
1275		23915074032027877	LOWER BEARING FLANGE		1		
1278		270320750200000	SEEGER [LOWER BEARING FLANGE]		1		
1280		271770068026000000	GASKET [LOWER BEARING FLANGE]		1		
1286		270330300100000	SEEGER [LOWER BEARING >> LOWER BEARING FLANGE]	802102	1		
1290		270220300422500000	DISTANCE RING [LOWER BEARING]	802098	1		
1410		270139510104000003	CAP [OIL CHAMBER]		1		
1451		230000010250000000	1st MECHANICAL SEAL		1		
1452		230001810250000000	2nd MECHANICAL SEAL		1		
1455		270330250100000	SEEGER [1st MECHANICAL SEAL >> 2nd MECHANICAL SEAL]	802101	1		
1458		270533762109027892	DISTANCE RING [1st MECHANICAL SEAL >> 2nd MECHANICAL SEAL]		1		
1467		270320620200000	SEEGER [2nd MECHANICAL SEAL]		1		
1500		236211602527884	PUMP PLATE		1		
1502		2750911526543	GASKET [PUMP PLATE]		1		
1503		270830810203200000	SCREW [PUMP PLATE >> MOTOR CASE]	802093 OR 802095	2		
1520		2750916023613	GASKET [PUMP PLATE >> PUMP BODY]	710955 OR 802282	1		
1530		270830810203200000	SCREW [PUMP PLATE >> PUMP BODY]	802093 OR 802095	2		
1600		2302350126EX26570	SHAFT WITH ROTOR		1		

1610	231101263021000000	WOUND STATOR		1
1700	25072200000000	HUMIDITY PROBE [OIL CHAMBER]		1
1770	2500000001800072	GROUND CABLE CONNECTOR		1
1800	21251016030528636	PUMP BODY		1
1805	21411OC130NN27209	IMPELLER	806120	1
1810	270830810253200000	LOCKING IMPELLER	802094	1
1830	2162117027241	SUCTION FLANGE		1
1835	2750917023063	GASKET [PUMP BODY >> SUCTION FLANGE]		1
1835	2750917023063	GASKET [PUMP BODY >> SUCTION FLANGE]		1
1840	270830810163200000	SCREW [SUCTION FLANGE >> PUMP BODY]	802318	3